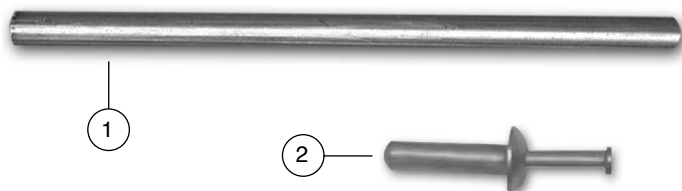


Solatube® SolaMaster® Series Security Bar Installation Instructions

Please read all warnings and instructions before beginning installation.



PARTS LIST

	Quantity
1. Security Bar	(1)
2. Wedge Anchor	(2)

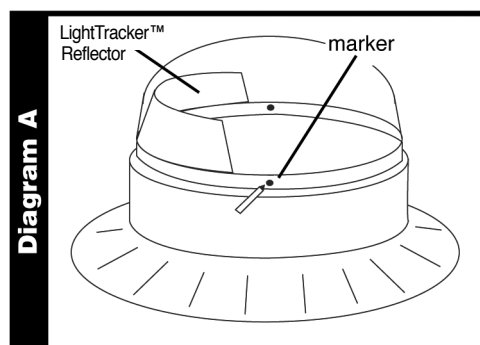
Required Tools:

- | | |
|-------------------|---------------------|
| 1. Electric Drill | 2. 7/16" Drill Bit |
| 3. Hammer | 4. Silicone Sealant |

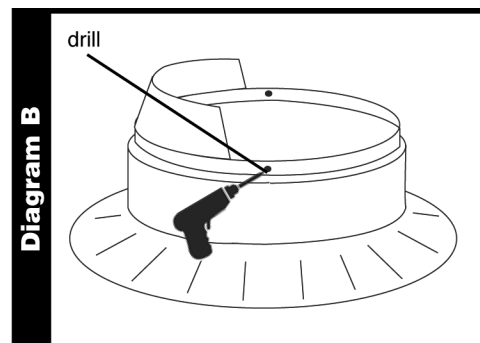
OVERVIEW

These instructions only address the mounting of the Security Bar to the flashing for the Solatube 21-O or 21-C (21 in/530 mm Daylighting System). Complete installation instructions of the top tube assembly and LightTracker™ Reflector are available with each unit or online at www.solatube.com. Follow all warning and safety information in the SolaMaster® Series installation instructions.

Step 1. Use dome as a template to mark Security Bar hole locations. Place dome over flashing until it rests evenly on dome ring. Choose two dome holes directly across from each other that do not align with LightTracker™ Reflector mounting tabs. Mark the hole locations onto flashing turret through dome holes with marker (**Diagram A**). Remove dome.



Step 2. Drill 7/16" hole through flashing turret, dome ring and top tube at each marked location (**Diagram B**).

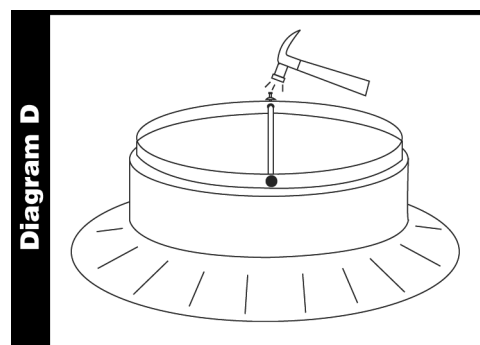
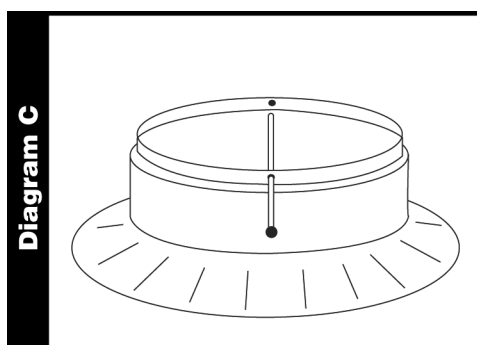


Step 3. Insert one wedge anchor into end of Security Bar. Being careful not to damage free end of bar, stand bar on solid surface and hammer wedge pin of anchor in flush.

Step 4. Slide the free end of Security Bar through one hole, passing through the center of the flashing, and out the opposite hole until head of anchor contacts flashing turret (**Diagram C**).

Step 5. Place a solid, heavy object against head of anchor. Insert remaining anchor into free end of Security Bar and hammer wedge pin of anchor in flush (**Diagram D**).

Step 6. Seal anchor head to flashing with silicone sealant (not included). Return to standard installation instructions to complete install.



For the most current Installation Instructions, please visit <http://solatube.com/instructions>